

HACH SC200 UNIVERSAL CONTROLLER WITH ULTRASONIC FLOW SENSOR



Applications

- Wastewater
- Collection Systems
- Industrial Water

The SC200 Universal Controller with Ultrasonic Sensor is designed to give highly accurate flow and depth measurements for your open channel flow monitoring applications.

From the easy-to-read display to reliable data management with SD card data transfer, the flow system provides an economical choice for flow monitoring.

The flow system can be used for a variety of applications including NPDES permitting requirements and the monitoring of storm water, inlet flow, final effluent and activated sludge. It replaces the Hach GLI53 analog controller with advanced features for easier operator use.

The SC200 controller platform can be configured to operate either 2 Digital Sensor Inputs, or 1 or 2 Analog Sensor Inputs, or a combination of Digital and Analog Sensor Inputs. Customers may choose communication options from a variety of offerings ranging from MODBUS RTU to Profibus DPV1.

Maximum Versatility

- Standardized controller eliminates the need for a variety of dedicated controllers
- Multi-channel controller operates either 1 or 2 sensors reducing inventory holding costs and providing an inexpensive option to add a second sensor at a later time
- True dual sensor controller provides 4-20 mA outputs to transmit primary and secondary measurement values
- Controller may be panel, surface or pole mounted (hardware included)

Display

- Large display with scrolling menus for easy set up
- Transreflective display stays readable even in sunlight

Data Management

- SD Card simplifies data download and transfer
- Update firmware via SD card or special RS232 cable

Ultrasonic Flow Sensor

- Select primary gauging structure from the library of flumes and weirs for flow sensor set up or enter a flow curve for non-standard structure
- Non-contact flow sensor requires no routine maintenance
- Pulse echo technology

Sensor Inputs

- Analog sensor modules may be added in the field
- Digital sensor ports are factory installed
- Controller will scan and detect new sensors added
- Works with GLI and Hach digital sensors

Analog Inputs

- Enables non-sc analyzer monitoring
- Accepts mA signals from other analyzers for local display
- Consolidates analog mA signals to a digital output

4-20 mA Outputs

- Total of six (6) 4-20 mA outputs (2 std/4 optional) enables up to 3 mA outputs per sensor input

Digital Communication

- MODBUS 232/485 and Profibus DP V1.0

Ease of Use and Confidence in Results

- New display and guided calibration procedures reduce operator error
- Password protection to prevent tampering and unwanted programming changes
- Visual warning system provides critical alerts

Specifications*

SC200 General Specifications

Display	Graphic dot matrix LCD with LED backlighting. Transreflective
Display Size	48 x 68 mm (1.89 x 2.67 in.)
Display Resolution	240 x 160 pixels
Height x Width x Depth	144 x 144 x 181 mm (5.7 x 5.7 x 7.1 in.)
Weight	1.70 kg (3.75 lb)
Power Requirements	100 – 240 Vac \pm 10%, 50/60 Hz; 24 Vdc -15% + 20%
Operating Temperature	-20 to 60°C (-4 to 140°F), 0 to 95% RH non-condensing
Storage Temperature	-20 to 70°C (-4 to 158°F), 0 to 95% RH non-condensing
Analog Output Signal	Two 0/4 to 20 mA isolated current outputs, max 500 Ω
	<i>Operational Mode</i> Primary or secondary measurement or calculated value (dual channel only)
	<i>Functional Mode</i> Linear, Logarithmic, Bi-linear, PID
	Optional 4 additional 4/20 mA isolated current outputs, max 500 Ω @ 18-24 Vdc (customer-supplied power source)
Security Levels	Two password protected levels
Enclosure Materials	Polycarbonate, Aluminum (powder coated), Stainless Steel
Mounting Configurations	Wall, pole and panel mounting
Enclosure Rating	NEMA 4X / IP 66
Conduit Openings	1/2" NPT Conduit
Relays	Four electromechanical SPDT (Form C) contacts, 1200W, 5 A, 250 Vac
	<i>Operational Mode</i> Primary or secondary measurement, calculated value (dual channel only) or timer
	<i>Functional Mode</i> Alarm, Timer, Feeder Control, PWM or FM Control, System Alarm
Digital Communication	MODBUS RS232/RS485, Profibus DPV1 optional
Memory Backup	Flash memory
Electrical Certifications	EMC: CE compliant for conducted and radiated emissions CISPR 11 (Class A limits), EMC Immunity EN 61326-1 (Industrial limits)
	Safety: General Purpose UL/CSA 61010-1 with cETLus safety mark
Data Logging	Secure Digital Card (Maximum recommended capacity 8 GB) or special RS232 cable connector for data logging and performing software updates.

UltraSonic Flow Sensor

Flow Rate	0-9999, 0-999.9, 0-99.99 with selectable flow rate units
Volume	0-9,999,999 with selectable volume units
Depth Measurement Range/Resolution	0.25 m (10 in.) to 6 m (20 ft.) \pm 1 mm (0.04 in.)
Air Temperature	-40 to to 90°C (-40 to 194°F) \pm 0.1°C (0.18°F)
Input Filter	999 sec
Totalizers	8-digit resettable LCD software totalizer
Totalized Flow	Gal., ft. ³ , acre-ft., lit., m ³ , in. ³
	Totalizer may be set to auto or manual mode.
	(Menu option to reset is available in manual mode only.)
Accuracy	\pm 0.5% of span
Repeatability	\pm 0.1% of span
Response Time	Less than 180 seconds to 90% of value upon step change
Sensor Cable (integral) Lengths	10 m (33 ft.), 20 m (66 ft.), 50 m (164 ft.), or 100 m (328 ft.)
Calibration Methods	Cal Depth 1 point; Cal Depth 2 point
Operating Frequency	75kHz
Construction	NEMA 6P (IP68) polybutylene terephthalate (PBT) body with integral temperature sensor
Weight	~0.5 kg (1.1 lb)

Select from the Following Gauge Types:

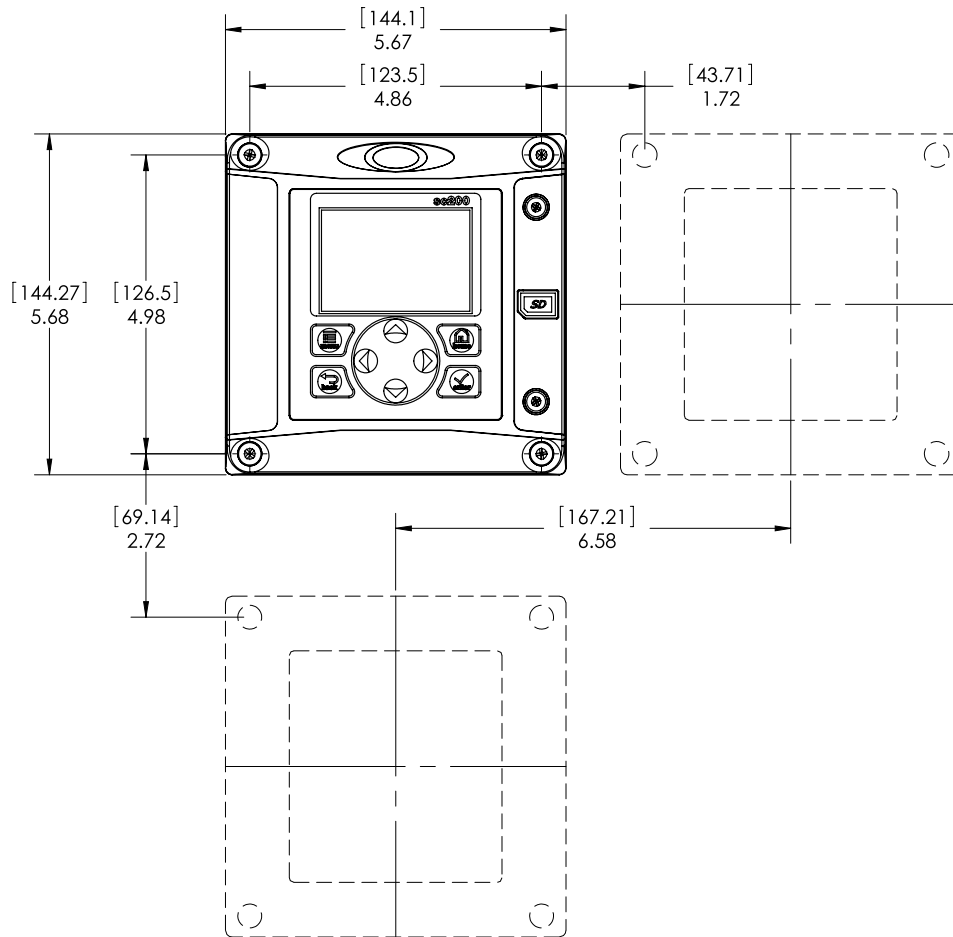
V Notch Weir
 Rectangle Weir
 Rectangle Flume
 Round Bot Flume
 Cipolletti Weir
 Neyrpic Flume
 Parshall Flume
 P Bowlus Flume
 Khafagi Flume
 L Lagco Flume
 H Type Flume
 Trapezoidal Flume
 User Defined

*Subject to change without notice.

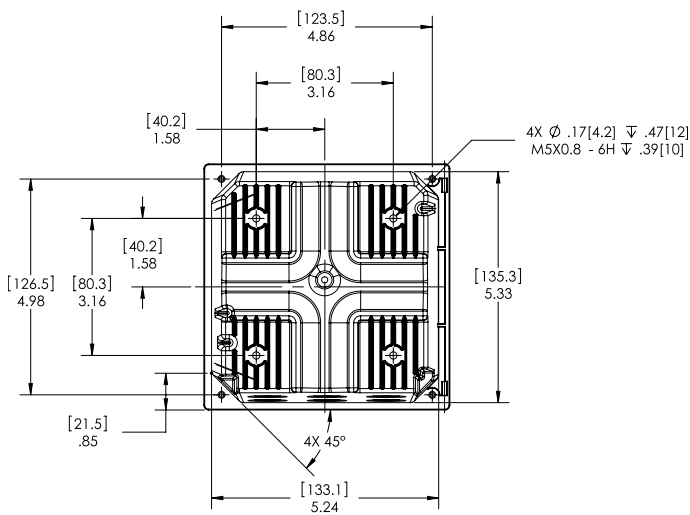
Dimensions

The SC200 controller unit can be installed on a surface, panel, or pipe (horizontally or vertically). No tools are needed to connect the controller unit to any Hach digital sensor. NOTE: Dimensions are in inches [millimeters].

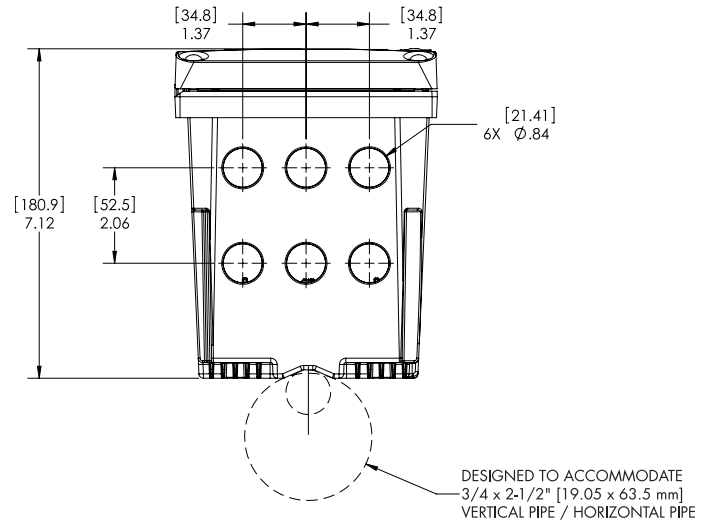
Minimum Spacing Dimensions for Group Mounting



Mounting Dimensions



Bottom View



Ordering Information

SC200 Controller and Module Smart Part Numbering System	Old U53 Sensor				
	0	0	3	0	2
LXV404.99.	X	X	X	X	X
Power					
No power cord	0				
No power cord Type-O—installed strain reliefs	1				
With EU power cord installed with cord grip	2				
With UK power cord installed with cord grip	3				
With US power cord installed with cord grip	5				
24VCD power supply with no cord or cord grips	7				
Communications Output					
Standard (two 4-20mA outputs)		0			
MODBUS 232 & 485		1			
Profibus DP		3			
HART + four 4-20mA analog outputs		5			
Four additional 4-20mA analog outputs		9			
Sensor Input 1					
pH & DO			1		
Conductivity			2		
Flow			3		
mA input			4		
Digital			5		
Sensor Input 2					
None				0	
pH & DO				1	
Conductivity				2	
Flow				3	
mA input				4	
Digital				5	
Brand					
Hach					2

Ultrasonic Flow Sensors

U53S010	Ultrasonic sensor with 10 ft. cable
U53S030	FL900 Flow Logger with AV9000 analyzer module, 1 sensor port
U53S100	Ultrasonic sensor with 100 ft. cable

Power Cords

9202900	SC200 power cord with strain relief, 125 Vac
9203000	SC200 power cord with strain relief, 230 Vac, European-style plug

Accessories

9220600	SC200 Weather and Sun Shield with UV Protection Screen
8809200	SC200 UV Protection Screen
1000G3088-001	Weather Protection Cover
9218200	SD card reader (USB) for connection to PC
9218100	4 GB SD card
9012700	Flow Module
9013100	Module for 4 additional analog mA out (passive)
9013200	Modbus module
YAB104	Profibus DP kit
LZX887	Data com cable
3004A0017-001	Flow sensor mounting kit

Hach World Headquarters: Loveland, Colorado USA

United States: 800-368-2723 tel 970-669-5150 fax hachflowsales@hach.com

Outside United States: 970-622-7120 tel

hachflow.com

Printed in U.S.A. ©Hach 2019. All rights reserved.

In the interest of improving and updating its equipment, Hach reserves the right to alter specifications to equipment at any time.

MARSH
McBIRNEY **SIGMA**



Be Right™